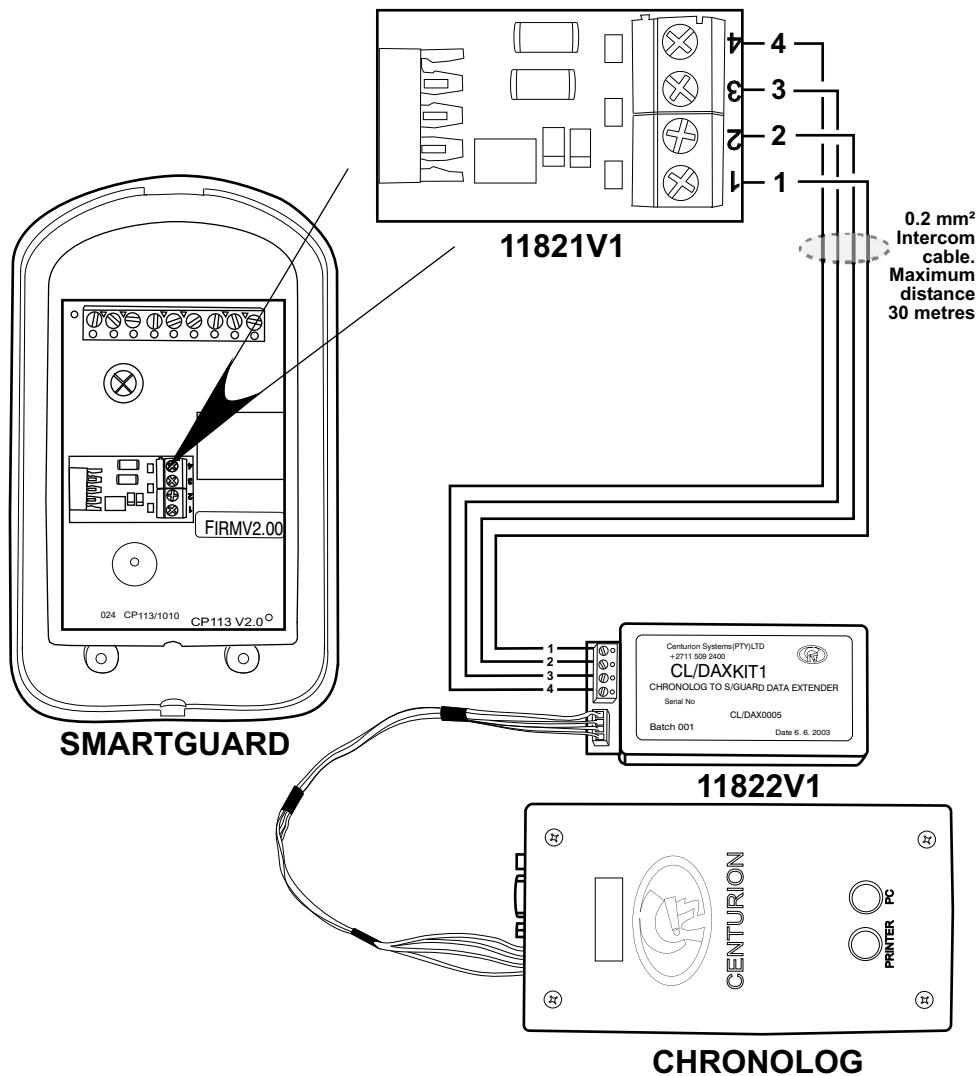


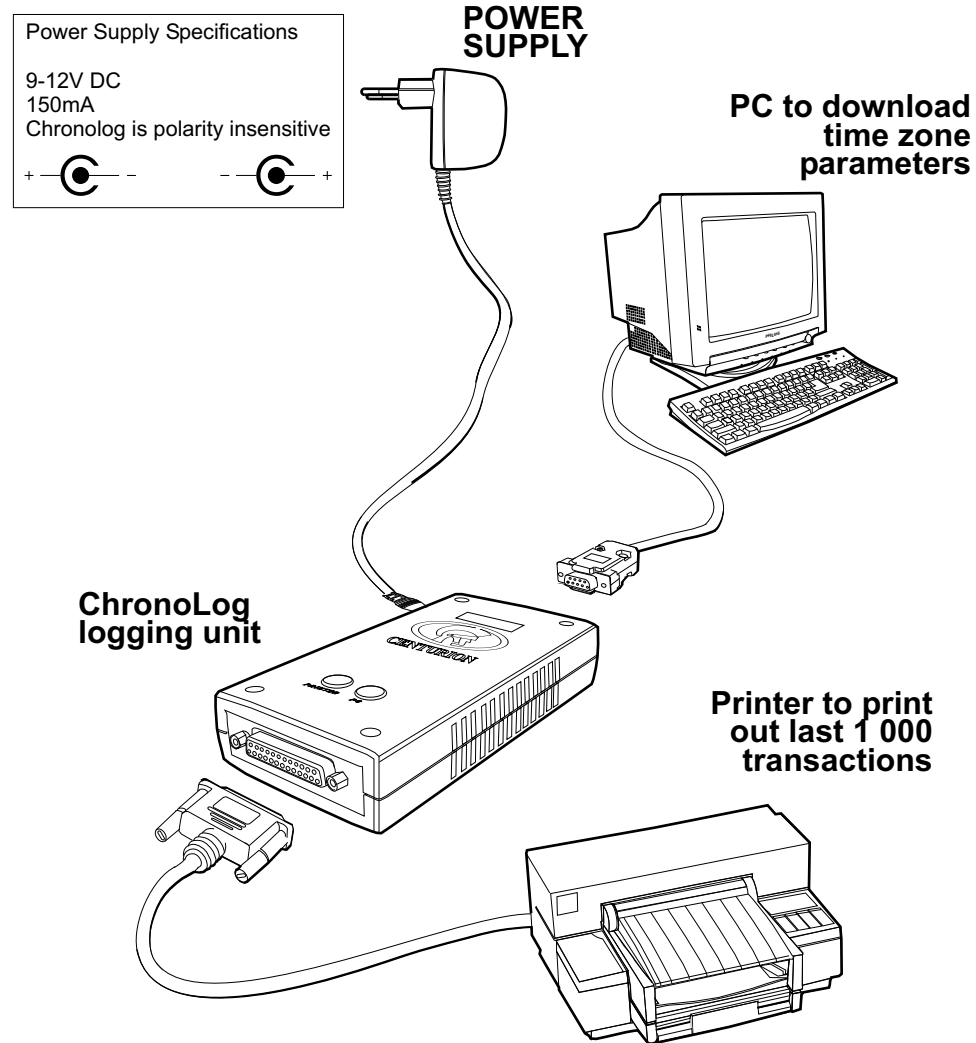
CHRONOLOG TO SMARTGUARD DATA EXTENDER CONNECTION



NOTE:

Chronolog support is only available on keypads with Firmware Version FIRMV2.00 and higher.

CHRONOLOG CONNECTIONS



NOTE:

External power supply is required when using the Chronolog with the printer or the PC. See the Chronolog Manual for additional information on Power considerations.